

AIR-EAGLE XLT 44UL-2000-DC 900 MHz RF Receiver

SGS Certification #
SGSNA/19/SUW/00017



Document Date: 10/19/2021
Product Rev: 6

BWI Eagle, Inc.
105 Bonnie Dr.
Butler, PA 16002
724-283-4681
724-283-5939 (fax)
www.bwieagle.com
sales@bwieagle.com



44UL-2000-DC

WARRANTY STATEMENT

BWI Eagle Inc. warrants the Air-Eagle Remote Control System, if properly used and installed, will be free from defects in material and workmanship for a period of **1 year** after date of purchase. Said warranty to include the repair or replacement of defective equipment. This warranty does not cover damage due to external causes, including accident, problems with electrical power, usage not in accordance with product instructions, misuse, neglect, alteration, repair, improper installation, or improper testing. This limited warranty, and any implied warranties that may exist under state law, apply only to the original purchaser of the equipment, and last only for as long as such purchaser continues to own the equipment. This warranty replaces all other warranties, express or implied including, but not limited to, the implied warranties or merchantability and fitness for a particular purpose. BWI Eagle makes no express warranties beyond those stated here. BWI disclaims without limitation, implied warranties of merchantability and fitness for a particular purpose. Some jurisdictions do not allow the exclusion of implied warranties so this limitation may not apply to you. To obtain warranty service, contact BWI Eagle for a return material authorization. When returning equipment to BWI Eagle, the customer assumes the risk of damage or loss during shipping and is responsible for the shipping costs incurred.

SIGNAL RANGE

Max range statements are estimates based on a clear line of sight with few interferences. Actual range will vary based on transmitting power, orientation of transmitter and receiver, height of transmitting and receiving antennas, weather conditions, electronic interference, terrain, and physical obstacles, including but not limited to; walls, building structures, trees (foliage), metal objects, and landscape (hills, mountains).



WIRELESS STOP SYSTEMS WORK IN CONJUNCTION WITH HARD-WIRED SYSTEMS.

Wireless Stop and E-Stop devices must work in conjunction with a hard-wired system. A wireless system should never be considered a primary life-saving device. At least one hard-wired switch must be available in the event the wireless signal is lost. Failure to comply may result in serious injury or death to personnel and damage to equipment.



44UL-2000-DC

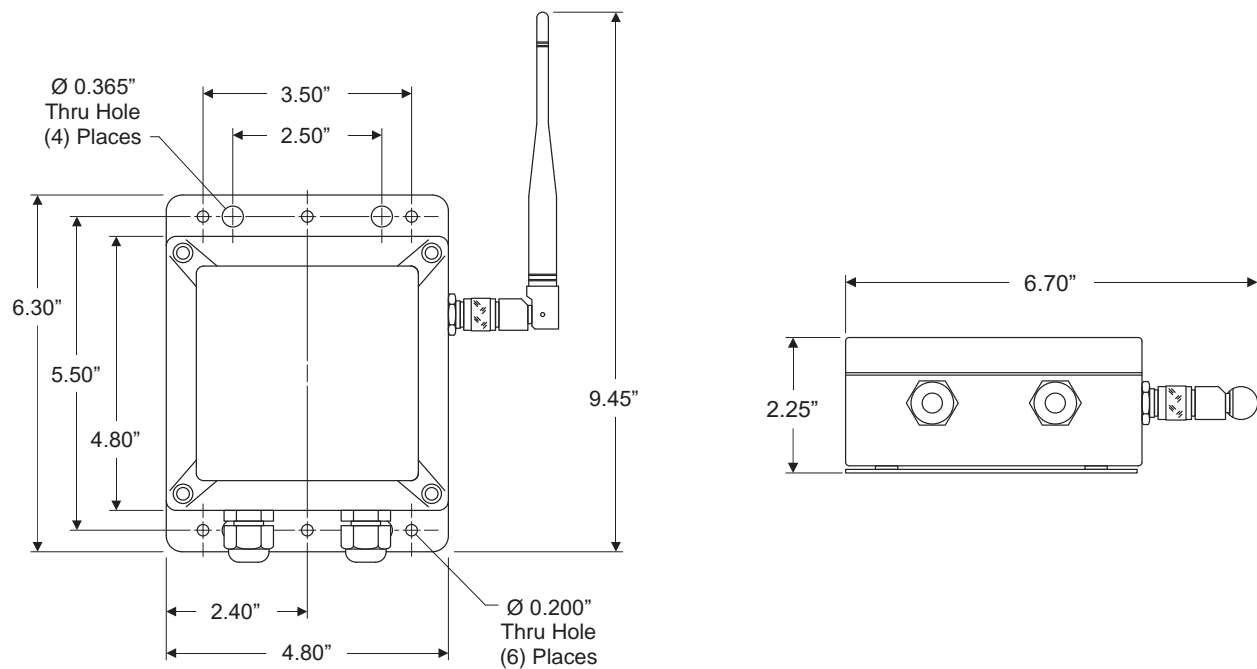


INTRODUCTION

We have partnered with SGS (the world's leading inspection, verification, testing and certification company) to confirm that our products meet the specific and stringent requirements of UL and CSA. SGS testing is designed to ensure products always operate safely, even under extreme circumstances.

The AIR-EAGLE XLT is an SGS certified RF system designed for medium to long range wireless remote control of electrical apparatus in a variety of industrial applications. Systems can consist of any number of receivers and handheld or contact input transmitters working together. This receiver is equipped with 4 independent relays that can switch 5 amps @ 120VAC or 30VDC. The relays are user programmable for momentary or toggle/latching operation and can be directly interfaced with the customer's equipment or P.L.C. Seven user selectable frequencies allow multiple systems to be used in the same area. Capable of receiving remote signals transmitted from up to 2500 feet away, the Air-Eagle XLT Receiver utilizes spread-spectrum technology and provides the utmost in security and reliability.

DIMENSIONS



44UL-2000-DC

INSTALLATION

Please read through this document in its entirety before proceeding with installation.

1. **DISCONNECT** power from all equipment before proceeding with installation.
2. Mount the control unit in a suitable location that allows the user to easily remove the lid of the enclosure for wiring access. When possible, select a location that is not directly beside high energy transformers or large inductive relay housings. It is recommended to allow for a minimum of 2.0" clearance on all sides of the unit's housing & mounting plate. The power and control wiring exiting thru the provided cord grips should have ample room to bend without excessive stress. It is also important that any coax cable connected to the TNC connector have room to bend without "kinking".
3. Install relay wiring to terminal strip (TER1).
4. Attach supplied rubber duck antenna to TNC connector on the right side of the unit.
5. Connect supplied DC power input cable to your external power source.

Note 1: (6) #10 thru holes & (4) 1/4-20 thru holes are provided on the mounted plate to secure the unit)

Note 2: The recommended power/control wire sizes to the terminal strip ranges from 24 AWG (0.205mm²) (min) to 18 AWG (0.823mm²) (max).

TERMINAL STRIP WIRING

Terminal 1	Negative (-) 10 – 24 VDC	
Terminal 2	Positive (+) 10 – 24 VDC	
Terminal 3	CH1 Dry Contact Input (Common)	Not used on this model
Terminal 4	CH1 Dry Contact Input	
Terminal 5	CH2 Dry Contact Input (Common)	
Terminal 6	CH2 Dry Contact Input	
Terminal 7	N/O Relay 1	
Terminal 8	C Relay 1	
Terminal 9	N/C Relay 1	
Terminal 10	N/O Relay 2	
Terminal 11	C Relay 2	
Terminal 12	N/C Relay 2	
Terminal 13	N/O Relay 3	
Terminal 14	C Relay 3	
Terminal 15	N/C Relay 3	
Terminal 16	N/O Relay 4	
Terminal 17	C Relay 4	
Terminal 18	N/C Relay 4	

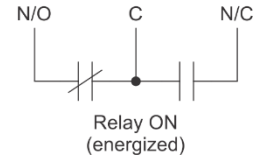
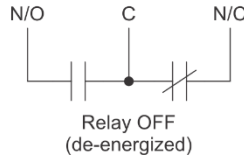
44UL-2000-DC



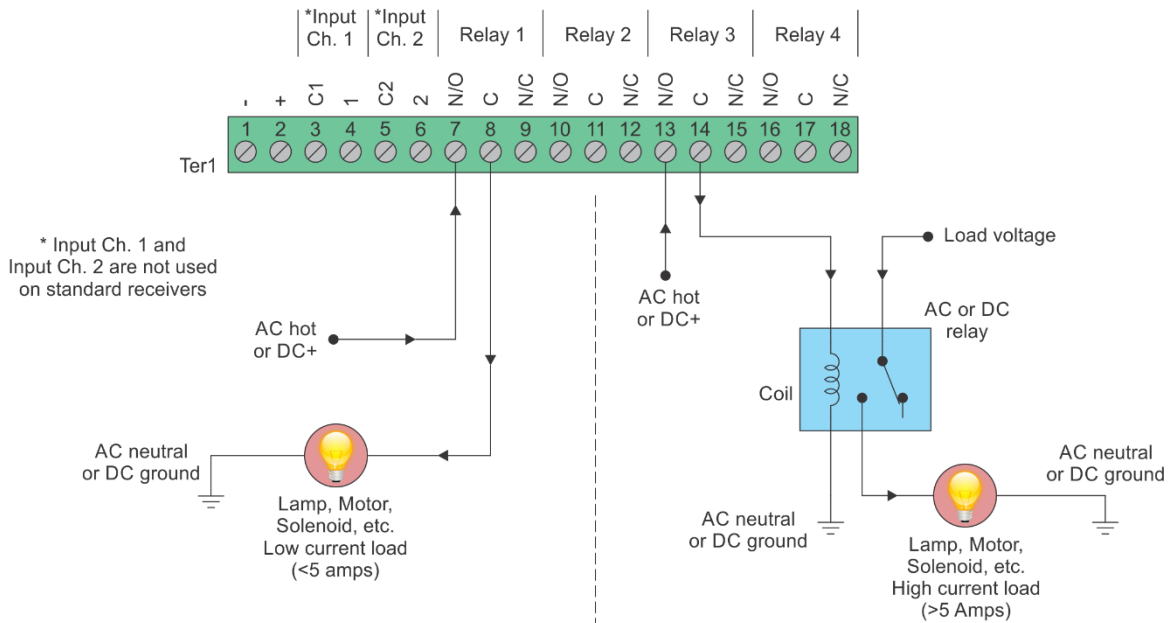
105 Bonnie Drive
Butler, PA 16002
724-283-4681
724-283-5939 (fax)
www.bwieagle.com

RELAY OUTPUT WIRING 4-Relay Receiver

Receiver outputs are dry relay contacts, like an SPDT switch. When the relay is in a de-energized state, the N/C (normally closed) contact is connected to C (common). When the relay is energized the N/O (normally open) contact is connected to C (common).



Normally Open Application with Externally Supplied Voltage



Internal Relay - Loads Less Than 5 Amps
Loads up to 5 Amps may be wired directly to the internal relays. Wiring to the N/O contact will cause the load to turn on when the relay is energized (the load is on when the relay is on). Wiring to the N/C contact will cause the load to turn on when the relay is de-energized (the load is on when the relay is off). AC or DC voltages can be switched through the relay.

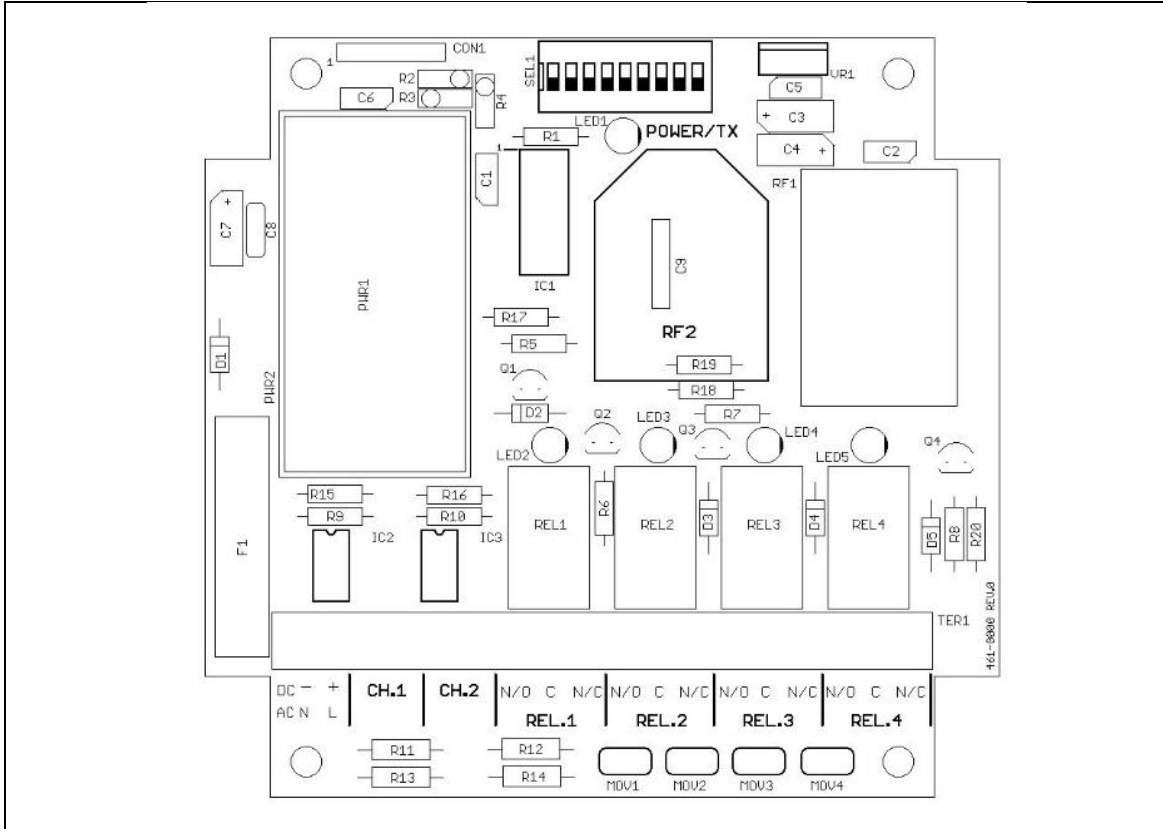
External Relay - Loads Over 5 Amps
Loads over 5 Amps must use an external high current relay. Diagram shows how to turn on the relay using the lower current internal relay of the receiver. AC or DC voltages can be switched through the relay. Note: A protection diode for DC coils or an MOV for AC coils is recommended to reduce inductive EMI noise.

Wiring configurations shown here are examples. The wiring for your application may differ. Call BWI Eagle for assistance or consult an electrician.

Updated: 5/18/2021

44UL-2000-DC

CONTROLS & INDICATORS



POWER/TX LED1	Dual color LED. Illuminates red while receiver is booting up; changes to green when boot-up is successful and unit is ready to operate. If this LED fails to turn green, power unit off for 15-20 seconds, then reapply power.
LED2	Illuminates green while relay 1 is energized
LED3	Illuminates green while relay 2 is energized
LED4	Illuminates green while relay 3 is energized
LED5	Illuminates green while relay 4 is energized
REL1 – REL4	Four SPDT output control relays
RF2	RF Module that transmits/receives data
SEL1	Seven dip switches for selecting relay options and operating frequency

APPROVALS

SGS Certified	SGSNA/19/SUW/00017
United States (FCC)	MCQ-XB900HP
Canada (IC)	1846A-XB900HP
Australia	RCM
Brazil	ANATEL 3727-12-1209

44UL-2000-DC

RELAY MODES OF OPERATION

Auto Reset (Maintained Momentary)
When signal is received from an authorized transmitter, the relay will energize. The relay will maintain the energized state as long as the transmitter is sending the signal. The relay de-energizes when the transmitted signal stops.
Toggle Reset (Toggle Latch)
When a signal is received from an authorized transmitter, the relay will energize and latch. The relay stays energized until the same signal is received again, at which time it unlatches and de-energizes.
Latching Reset (True Latch)
When a signal is received from an authorized transmitter, the relay will energize and latch. The relay stays energized until a different signal is received from the transmitter, at which time it unlatches and de-energizes. i.e. – Transmission from Input 1 of authorized transmitter energizes and latches relay 1. Transmission from Input 2 of an authorized transmitter de-energizes relay 1.

RELAY & FREQUENCY SETUP

The unit is shipped from the factory with SEL1 switches in the open positions. All four relays will operate as maintained momentary and unit is receiving commands on frequency one. If you wish to change these default settings, follow the instructions below:

1. ***IMPORTANT***
Disconnect power from unit
2. Remove top cover.
3. Select desired relay operation and/or frequency using the table.
4. Reattach cover.
5. Reconnect power to unit.
6. Programming is complete.

RELAY CONFIGURATION			
SEL1 SW#	OPEN	CLOSED	
SW1	Relay #1 momentary <i>(default)</i>	Relay #1 toggle/latch	
SW2	Relay #2 momentary <i>(default)</i>	Relay #2 toggle/latch	
SW3	Relay #3 momentary <i>(default)</i>	Relay #3 toggle/latch	
SW4	Relay #4 momentary <i>(default)</i>	Relay #4 toggle/latch	
<p>Maintained Momentary – Relay mimics button or input – when depressed or closed, relay will be energized; when released, relay de-energizes.</p> <p>Toggle Latch – Relay changes and holds its state each time the corresponding button or input is depressed or closed.</p>			
FREQUENCY SETUP			
NETWORK FREQUENCY	SW5	SW6	SW7
1 (default)	OPEN	OPEN	OPEN
2	CLOSED	OPEN	OPEN
3	OPEN	CLOSED	OPEN
4	CLOSED	CLOSED	OPEN
5	OPEN	OPEN	CLOSED
6	CLOSED	OPEN	CLOSED
7	OPEN	CLOSED	CLOSED
Note – SW8 & SW9 not used on this model			

44UL-2000-DC

SPECIFICATIONS

DC Power Input	10 – 24 VDC @ 10 Watts
Relay Contacts	SPDT 5 amp @ 120VAC or 30VDC per channel
Fuse Protected	2 amp
Receiver Frequency	900 MHz Spread Spectrum
Receiver Range	Up to 2500 feet
<p>Note: Range figures are estimates, based on free-air terrain with limited sources of interference. Actual range will vary based on transmitting power, orientation of transmitter and receiver, height of transmitting antenna, height of receiving antenna, weather conditions, interference sources in the area, and terrain between receiver and transmitter, including, but not limited to, indoor and outdoor structures such as walls, metal objects, trees, buildings, hills, and mountains.</p>	
RF Networks	Seven Independent Network Frequencies
Operating Temperature	-10° C to +55° C
Altitude	Under 2000 Meters
Enclosure	Polycarbonate, IP66 Approved
Weight	Approx 2.11 lbs.

SGS CLASSIFICATIONS

---Per UL 60730-1 and CAN/CSA E60730-1

Automatic Control and Electrically Operated Control
Incorporated Control and an Independently Mounted Control
Type 1.C Action; Micro-Interruption
PTI of Materials Used for Insulation: Material Group IIIb
Electrical Shock Risk: Class II Control
Period of Electrical Stress Across Insulating Parts Supporting Live Parts: Long Period
Pollution Degree 2
Number of Cycles of Activation: 30,000 (Relay)

44UL-2000-DC

ACCESSORIES

STANDARD ANTENNA (INCLUDED)	
900MHz TNC Portable "Rubber Duck" Antenna	49-1103
MOBILE/BASE ANTENNAS (OPTIONAL) Used to help achieve max range in non-line-of-sight and line-of-sight applications. Contact BWI Eagle for recommendations.	
900MHz Thru-Hole/Bracket Mount Mobile Antenna	49-2101
900MHz Magnet Mount Mobile Antenna	49-2102
900MHz Omni Directional Base Antenna	49-3101
900MHz Yagi Directional Base Antenna	49-3102
HIGH QUALITY COAX CABLE Used to connect external antennas to control unit.	
Flex Coax Cable w/Connectors (Available in 5', 15', 25', 30', 40', 60', 80', and 100' lengths)	49-4000-XX (XX = length in feet)
BULKHEAD EXTENSION Used to provide an external antenna connection when mounting control unit inside another enclosure.	
TNC Male to TNC Bulkhead Cable Assembly (Available in 2', 4', and 7' lengths)	49-5004-X-ISO (X = length in feet)

REPAIR STATEMENT

NO USER-SERVICEABLE PARTS! RETURN TO THE MANUFACTURER FOR SERVICE!

44UL-2000-DC