



105 Bonnie Drive
Butler, PA 16002
724-283-4681
724-283-5939 (fax)
www.bwieagle.com

PRODUCT INFORMATION BULLETIN

AIR-EAGLE® SR PLUS 2.4 GHz RF Transmitter MODEL 36-10100-120I-AC

DESCRIPTION

The AIR-EAGLE SR PLUS TX is an R.F. transmitter capable of sending a single 120VAC input command to an Air-Eagle SR Receiver from up to 600 feet away. Any number of transmitters and receivers can be combined to create a medium-range remote control system that operates hazardous or hard-to-reach electrical apparatus from safe, convenient locations. This unit has eight user-selectable network frequencies to allow multiple systems to operate simultaneously in the same area without interference.

APPROVALS

| | |
|---------------------|-------------|
| United States (FCC) | MCQ-XBEE3 |
| Canada (IC) | 1846A-XBEE3 |
| Europe (CE) | ETSI |

INSTALLATION

DISCONNECT Power from all equipment before installation.

1. Mount the transmitter in a convenient location.
2. Install input wiring to terminal strip.
3. Install antenna onto antenna connector located on the right side on the enclosure.
4. Connect supplied power input cable to your external power source.

TERMINAL STRIP WIRING

| TER 3 VOLTAGE INPUT | | TER 2 RELAY OUTPUT | | TER 1 AC/DC POWER INPUT | |
|------------------------|--------------|-----------------------|----------|----------------------------|-------------|
| 1 | 120VAC – (N) | 1 | Not Used | 1 | 100-250 VAC |
| 2 | 120VAC - (H) | 2 | Not Used | 2 | 100-250 VAC |
| | | 3 | Not Used | 3 | Ground |

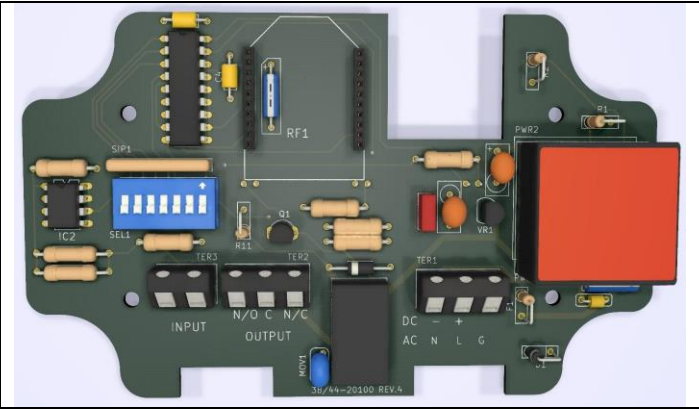
GENERAL OPERATION

When 120VAC appears on the input the unit transmits to energize relay 1 (or another relay as selected by the channel code transmitted) in any receiver within transmit range. The signal transmits continuously as long 120VAC is present and ceases when 120VAC is removed



Dimensions (with mounting plate) 7.07L x 3.57W x 1.62H

CONTROLS AND INDICATORS



| | |
|--------------|--|
| Power – LED1 | Illuminates green when unit is powered |
| TX – LED2 | Illuminates red when unit is transmitting |
| Relay – LED3 | Not used on this model |
| RF1 | RF module that sends data to the remote receiver |
| SEL1 | Seven dip switches for selecting options & network frequency |
| TER3 | Voltage input |
| TER2 | Relay output |
| TER1 | Power Input |

AIR-EAGLE® SR PLUS

2.4 GHz RF Transmitter

MODEL 36-10100-120I-AC

CHANNEL CODE & FREQUENCY SET-UP

The unit is shipped from the factory with all SEL1 switches in the open positions. By default, it is transmitting Channel #1 code and operating on Frequency #1. If you wish to transmit a different channel code or and/or change the frequency, follow the instructions on the table below.

- 1) Remove power from unit then remove back cover.
- 2) Select desired channel code and/or frequency using table below.
- 3) Reattach cover and apply power. Programming is now complete.

CHANNEL SELECTION SET-UP

| SEL 1 (SW1-4) | Channel Code To Be Transmitted | SW1 | SW2 | SW3 | SW4 |
|---------------|--------------------------------|--------|--------|--------|--------|
| | 1 (default) | OPEN | OPEN | OPEN | OPEN |
| | 2 | CLOSED | OPEN | OPEN | OPEN |
| | 3 | OPEN | CLOSED | OPEN | OPEN |
| | 4 | CLOSED | CLOSED | OPEN | OPEN |
| | 5 | OPEN | OPEN | CLOSED | OPEN |
| | 6 | CLOSED | OPEN | CLOSED | OPEN |
| | 7 | OPEN | CLOSED | CLOSED | OPEN |
| | 8 | CLOSED | CLOSED | CLOSED | OPEN |
| | 9 | OPEN | OPEN | OPEN | CLOSED |
| | 10 | CLOSED | OPEN | OPEN | CLOSED |
| | 11 | OPEN | CLOSED | OPEN | CLOSED |
| | 12 | CLOSED | CLOSED | OPEN | CLOSED |
| | 13 | OPEN | OPEN | CLOSED | CLOSED |
| | 14 | CLOSED | OPEN | CLOSED | CLOSED |
| | 15 | OPEN | CLOSED | CLOSED | CLOSED |
| | 16 | CLOSED | CLOSED | CLOSED | CLOSED |

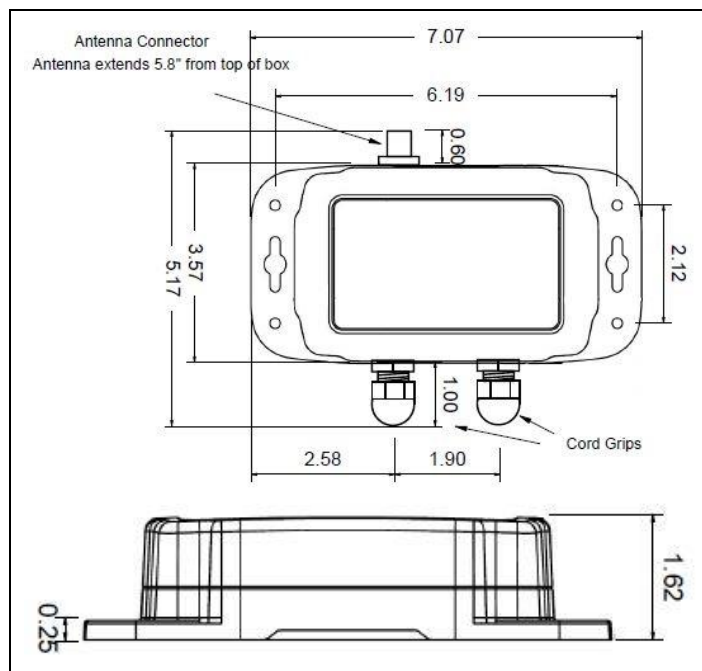
FREQUENCY SET-UP

| SEL1 (SW5-7) | Network Frequency | SW5 | SW6 | SW7 |
|--------------|-------------------|--------|--------|--------|
| | 1 (default) | OPEN | OPEN | OPEN |
| | 2 | CLOSED | OPEN | OPEN |
| | 3 | OPEN | CLOSED | OPEN |
| | 4 | CLOSED | CLOSED | OPEN |
| | 5 | OPEN | OPEN | CLOSED |
| | 6 | CLOSED | OPEN | CLOSED |
| | 7 | OPEN | CLOSED | CLOSED |
| | 8 | CLOSED | CLOSED | CLOSED |

SPECIFICATIONS

| | |
|---|-------------------------------------|
| Power Input | 100-250 VAC, 5 W, 50/60 Hz |
| Transmitter Frequency | 2.4 GHz Spread Spectrum |
| RF Output Power | 60 mW |
| Transmit Range | Up to 600 Feet |
| <p>Note: Max range figures are estimates, based on free-air terrain with limited sources of interference. Actual range will vary based on transmitting power, orientation of transmitter and receiver, height of transmitting antenna, height of receiving antenna, weather conditions, interference sources in the area, and terrain between receiver and transmitter, including, but not limited to, indoor and outdoor structures such as walls, metal objects, trees, buildings, hills, and mountains.</p> | |
| RF Networks | Eight Independent Frequencies |
| Antenna Connection | TNC Female Connector |
| Operating Temperature | -40° F to +185° F |
| Enclosure | Polycarbonate NEMA 4, 12, 13 – IP66 |
| Weight | Approx 2 lbs. |

DIMENSIONS



ACCESSORIES

| Standard Antenna (Included): | |
|--|----------------------------------|
| 2.4GHz TNC "Rubber Duck" Antenna | 49-1201 |
| Mobile/Base Antennas – Used to help achieve max range in both non line of sight and line of sight applications. - Contact BWI Eagle for recommendations | |
| 2.4GHz Thru-Hole Mount Mobile Antenna | 49-2201 |
| 2.4GHz Magnet Mount Mobile Antenna | 49-2202 |
| 2.4GHz Omni Directional Base Antenna | 49-3201 |
| 2.4GHz Yagi Directional Base Antenna | 49-3202 |
| High Quality Coax Cables – Used to connect external high gain antennas to control unit | |
| Flex Coax Cable w/Connectors – Available in 5', 15', 25', 30', 40', 60', 80', 100' Lengths | 49-4000-XX (XX = # of Feet) |
| Bulkhead Extensions – Used to provide an external antenna connection when mounting control unit inside another enclosure | |
| TNC Male to TNC Bulkhead Cable Assembly - Available in 2', 4', 7' Lengths | 49-5004-X-ISO (X = # of Feet) |

LIMITED WARRANTY STATEMENT

BWI Eagle Inc. warrants the Air-Eagle Remote Control System, if properly used and installed, will be free from defects in material and workmanship for a period of 1 year after date of purchase. Said warranty to include the repair or replacement of defective equipment. This warranty does not cover damage due to external causes, including accident, problems with electrical power, usage not in accordance with product instructions, misuse, neglect, alteration, repair, improper installation, or improper testing. This limited warranty, and any implied warranties that may exist under state law, apply only to the original purchaser of the equipment, and last only for as long as such purchaser continues to own the equipment. This warranty replaces all other warranties, express or implied including, but not limited to, the implied warranties or merchantability and fitness for a particular purpose. BWI Eagle makes no express warranties beyond those stated here. BWI disclaims without limitation, implied warranties of merchantability and fitness for a particular purpose. Some jurisdictions do not allow the exclusion of implied warranties so this limitation may not apply to you. To obtain warranty service, contact BWI Eagle for a return material authorization. When returning equipment to BWI Eagle, the customer assumes the risk of damage or loss during shipping and is responsible for the shipping costs incurred.